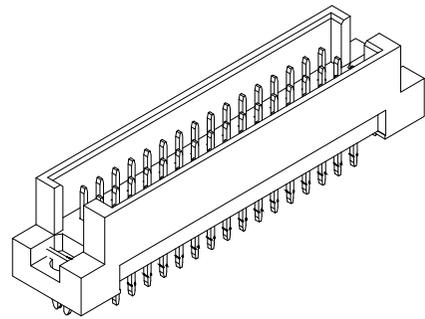
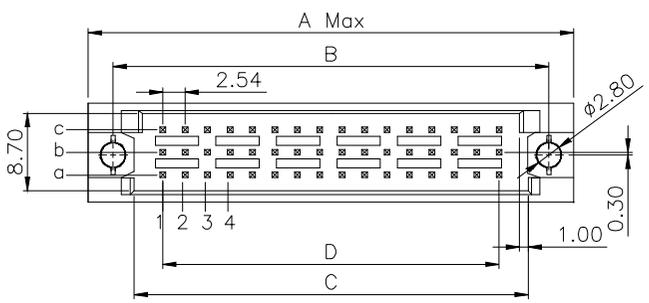
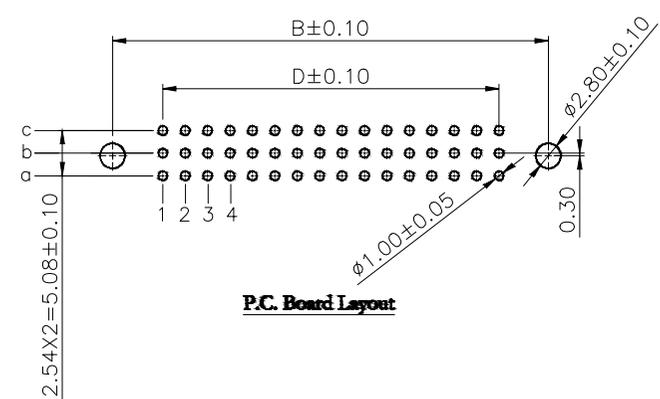
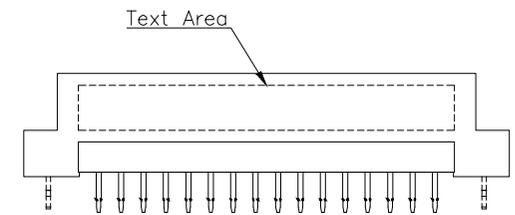
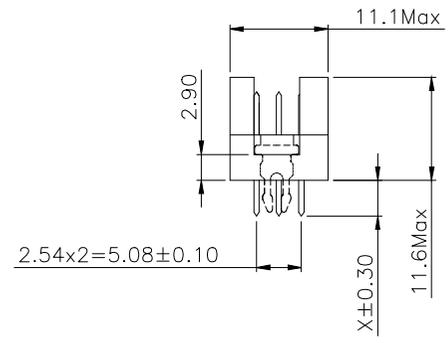
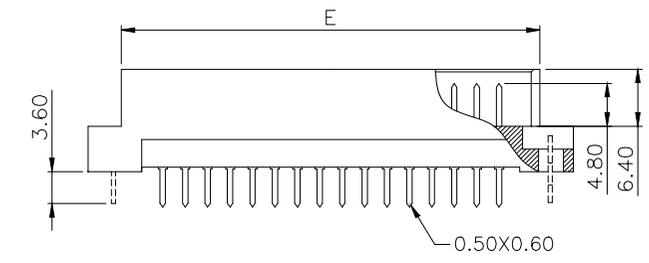


REV.	SPECIFICATION	ECN NO.	APPD.
R7			



Material and Plating:
Housing: PBT, UL94V-0, Beige
Contacts: Brass
Gold Plated on Contact Area and 80u" Min Tin or Gold Flash Plated on Solder Tail over Nickel 50u" Min.
Lock: Phosphor Bronze
80u" Min Tin Plated over Nickel 50u" Min.

Electrical Characteristics:
Current Rating: 2 AMP.
Dielectric Withstanding Voltage: AC 1000V For 1 minute.
Insulator Resistance: 10¹⁰ MQ min. at DC 500V.
Contact Resistance: 20mΩ max. at DC 100mA.
Operating Temperature: -55°C ~+125°C.
***RoHS Compliant**



9001- 17 xx x C xx L1 A

Series
1:2.54mm
Male
Position
1:Dip Length
2:Dip Length
W1:Dip Length
W2:Dip Length

A:Tray Package
Blank:W/O Lock
L1:With Lock
00:G/F
10:10u"
15:15u"
30:30u"

C:Selective Gold Plated
G:Gold Plated

Length	1	2	W1	W2
X	4.0	2.5	13	17

Dimension					
Position	A	B	C	D	E
48/32/16	55.0	49.36	44.60	38.10	47.40
30/20/10	39.8	34.12	29.36	22.86	32.16

Pitch	Position	Rows with Contacts	Contact Arrange
2.54mm	48	a b c	
	32	a - c	
	30	a b c	
	20	a - c	
	16	a - -	
	10	a - -	

Tolerances	Dwg. No.	9001D17001
x = ±0.5	Projection	
.x = ±0.25	Unit	mm
.xx = ±0.15	Scale	1:1
	Drawn By	JT 04/20'22

Title:
9001 Series
DIN41612 Half
R Type Male

WINGTAT 深圳市格林柏电子技术开发有限公司			
P/N:	9001-17xxxCxxL1A		
SHEET	1/1	Ver.No.	R7