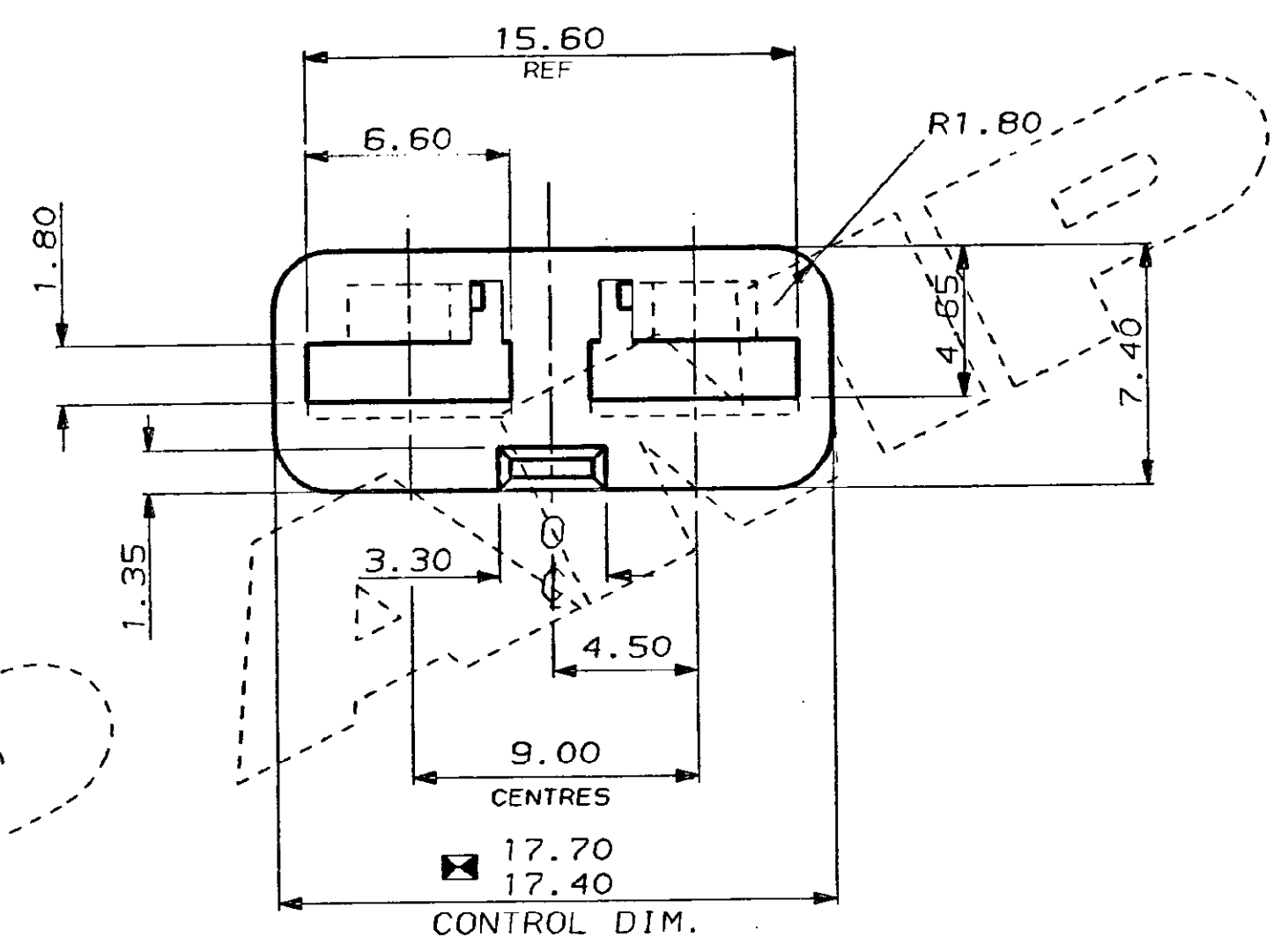
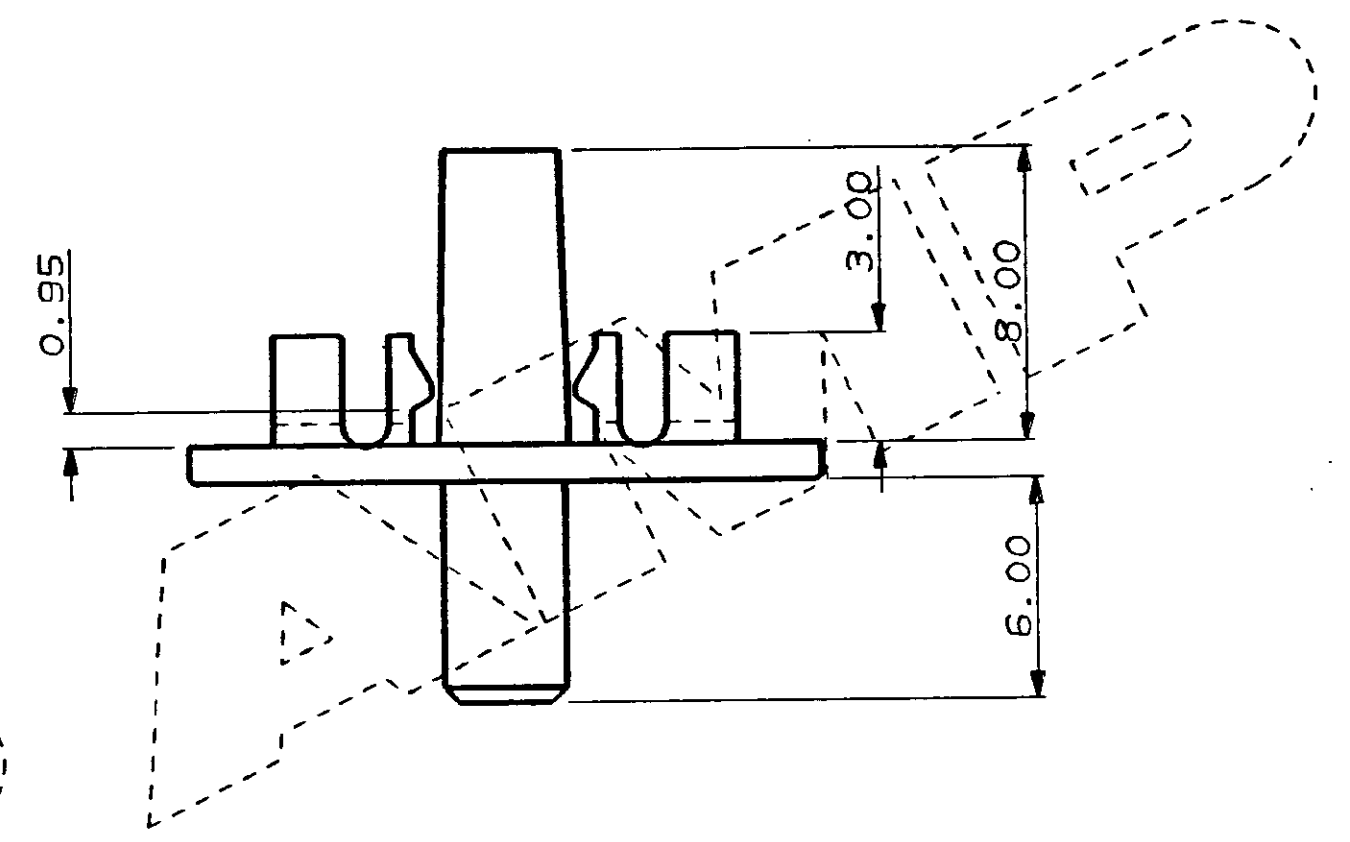
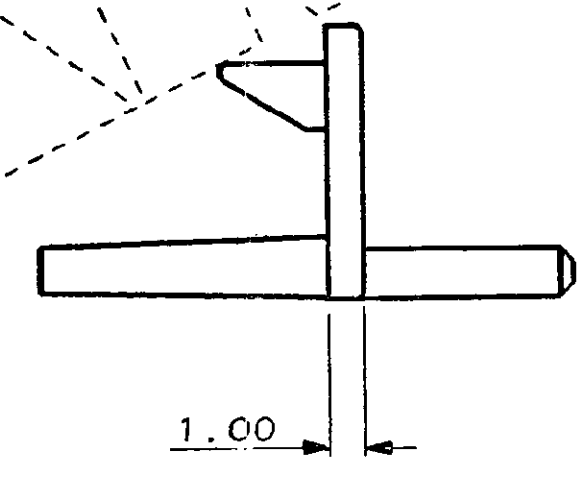
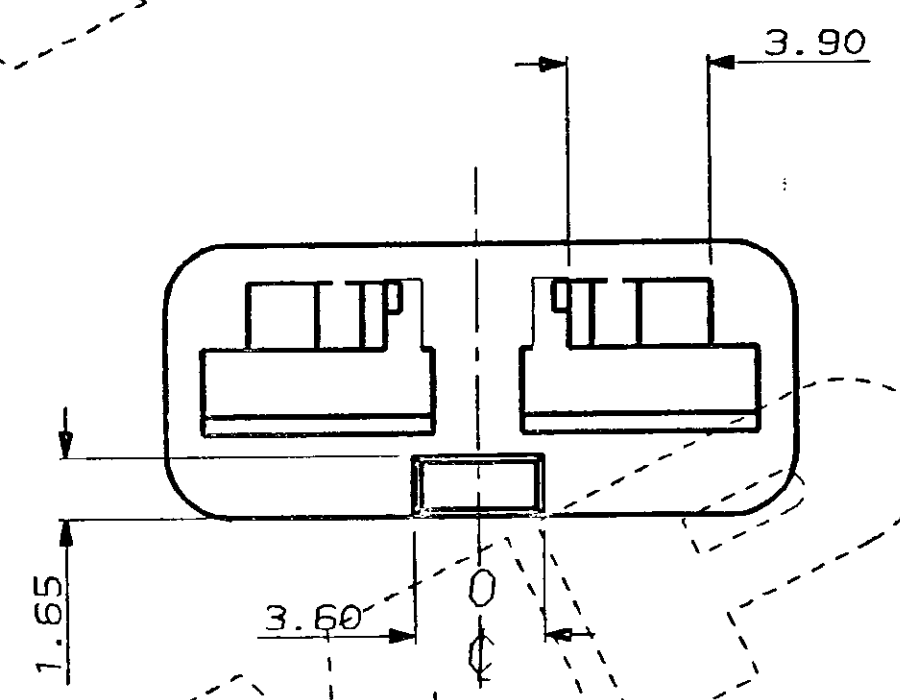
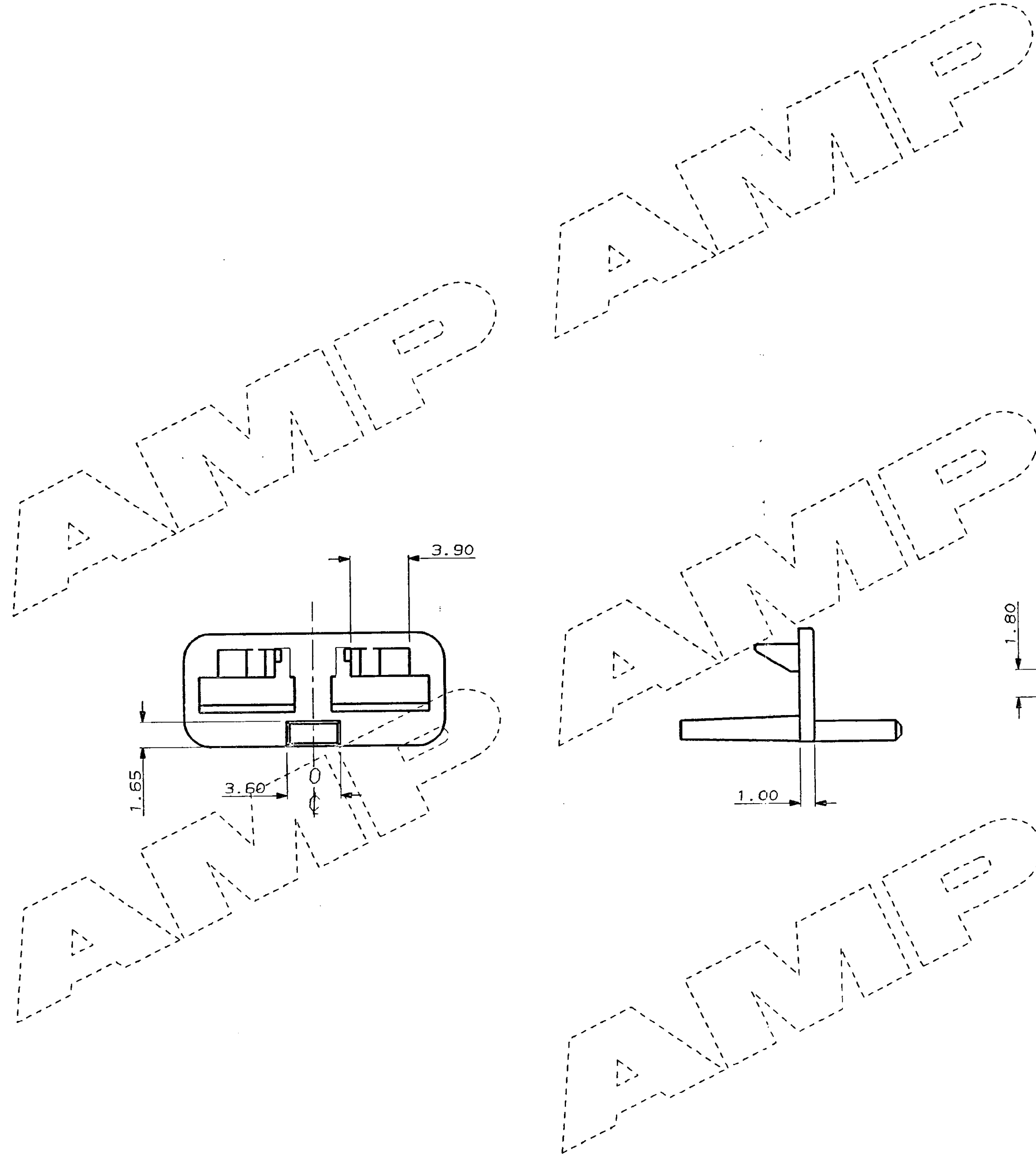
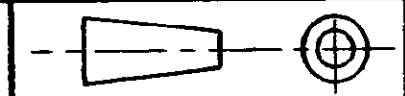


C.A.D. FILE CODE
S. C344090.C

DO NOT SCALE

DIMENSIONS IN MM.



WHITE		NYLON 6.6		344090-1	
FINISH		MATERIAL		PART NUMBER	
CUSTOMER DWG FOR REFERENCE ONLY		©COPYRIGHT 1987 BY AMP OF GREAT BRITAIN LTD. ALL INTERNATIONAL RIGHTS RESERVED. ALL PRODUCTS MAY BE COVERED BY BRITISH AND FOREIGN PATENTS AND/OR PATENTS PENDING.		RELEASED FOR PUBLICATION 8.6.87	
LATCH MOD. ED00-0310-93 12.8.83		TOLERANCES UNLESS OTHERWISE STATED DEC ± 0.5 ANGLES ± 1°		DR. R.J.S. 8.6.87 CH. R.R. APP. B.J.	
B UPDATED 05241 14.4.89		NAME A/BACKOUT FOR 2 WAY TAB HSG. ECONOSEAL 3 HIGH CURRENT		AMP of Great Britain Ltd. TERMINAL HOUSE STANNORE MIDD.	
A UPDATED C4996 12.7.88		SCALE LOC SIZE DWG.No.		REV SHEET	
O REL. FOR PROD. C4891 9.3.88		5/1 E A2 C344090		C 1/1	
REV MODIFICATION ECN DATE					