

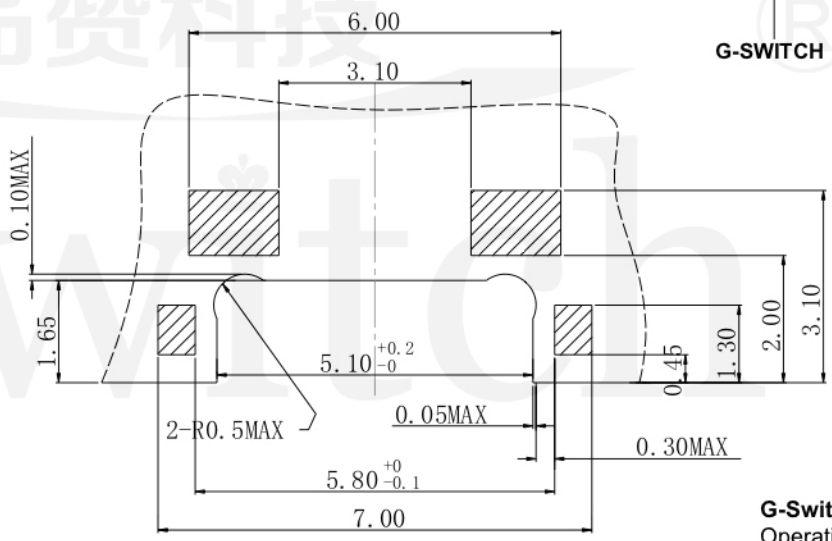
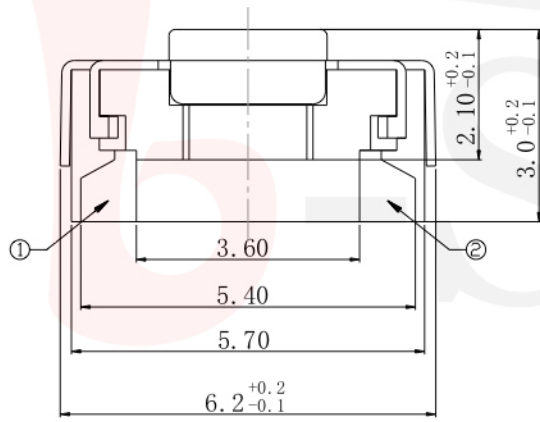
GT-TC036X-HXXX-LX

G-SWITCH

Operating Force
A=160gf
B=250gf

Switch Height (mm)
H035=3.5mm

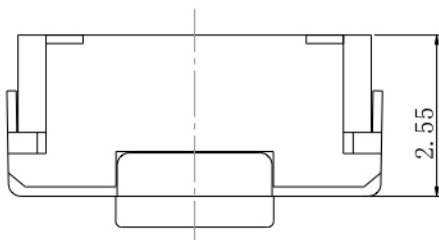
Switch lifetime (Force)
L1=100,000 Cycles



P. C. B MOUNTING PATTERN DIMENSION

G-Switch Specification:

Operating temperature range : -30°Cto+85°C
 Rating : 50mA.12V DC
 Insulation resistance : 100MΩ min.100V DC
 Dielectric strength : 250V AC for 1 min
 Contact resistance : 100m Ω max.
 Travel:0.20±0.1mm



CIRCUIT DIAGRAM



| | | | |
|--|--|--|--|
| | G-Switch Electronic (HongKong) CO.,Ltd. | | |
| | DESIGN FengFengChen CHECKED APPROVED http://www.dg-switch.com TEL:0769-82388879 | DATE 2019.05.29 DATE DATE http://www.dg-switch.com TEL:0769-82388879 | Molde code: GT-TC036X-HXXX-LX REV.: X1 SCALE: 4:1 UNIT: mm SIZE: A4 SHEET: 1/1 |
| Unless otherwise specified, Tolerance: X. ±0.30 X.x ±0.20 X.xx ±0.15 X.xxx ±0.10 Angles ±3° | | | |