

用于电源门控的 TPL5110 毫微功耗系统计时器

1 特性

- 电源电压范围为 1.8V 至 5.5V
- 电压为 2.5V 时，电流消耗为 35nA（典型值）
- 可选计时间隔：100ms 至 7200s
- 计时器精度：1%（典型值）
- 可通过电阻选择时间间隔
- 手动为 MOSFET 上电
- 单次触发功能

2 应用

- 电池供电系统
- 物联网 (IoT)
- 出入探测
- 篡改检测
- 家庭自动化传感器
- 温度调节装置
- 消费类电子产品
- 远程传感器
- 白色家电

3 说明

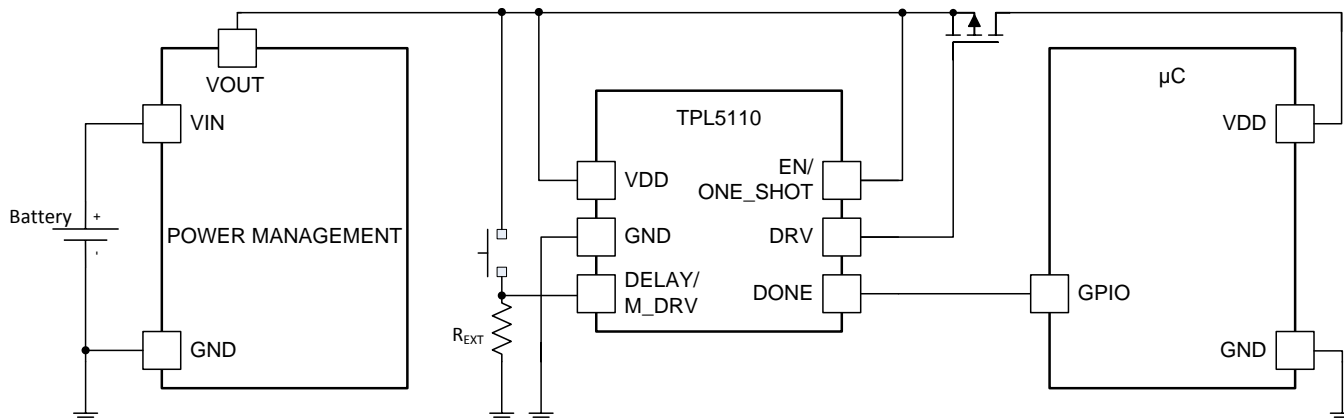
TPL5110 是一款低功耗计时器，具有集成 MOSFET 驱动器，专为占空比或电池供电型应用中的电源门控而设计。TPL5110 的电流消耗仅为 35nA，可用于支持电源线路，并可大幅降低睡眠期间的总系统待机电流。这一节能特性可以大幅减小能量采集或无线传感器应用中所使用的电池尺寸。TPL5110 提供 100ms 至 7200s 的可选计时间隔，适合用于电源门控应用。此外，TPL5110 还具有独特的单次触发功能，可使计时器仅为 MOSFET 供电一个周期。TPL5110 采用 6 引脚 SOT23 封装。

器件信息⁽¹⁾

器件编号	封装	封装尺寸（标称值）
TPL5110	SOT23 (6)	3.00mm x 3.00mm

(1) 如需了解所有可用封装，请见数据表末尾的可订购产品附录。

简化应用电路原理图



目录

1	特性	1	7.4	Device Functional Modes	9
2	应用	1	7.5	Programming	10
3	说明	1	8	Application and Implementation	16
4	修订历史记录	2	8.1	Application Information	16
5	Pin Configuration and Functions	3	8.2	Typical Application	16
6	Specifications	4	9	Power Supply Recommendations	17
6.1	Absolute Maximum Ratings	4	10	Layout	17
6.2	ESD Ratings	4	10.1	Layout Guidelines	17
6.3	Recommended Operating Ratings	4	10.2	Layout Example	18
6.4	Thermal Information	4	11	器件和文档支持	19
6.5	Electrical Characteristics	5	11.1	接收文档更新通知	19
6.6	Timing Requirements	6	11.2	社区资源	19
6.7	Typical Characteristics	7	11.3	商标	19
7	Detailed Description	8	11.4	静电放电警告	19
7.1	Overview	8	11.5	术语表	19
7.2	Functional Block Diagram	8	12	机械、封装和可订购信息	19
7.3	Feature Description	8			

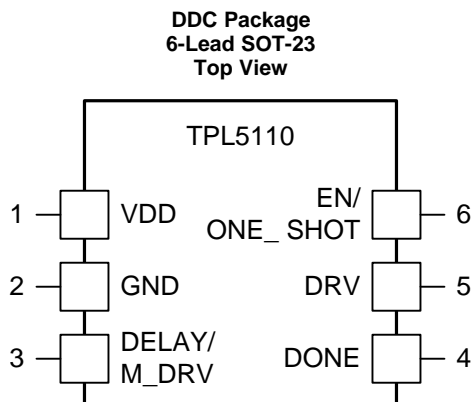
4 修订历史记录

Changes from Original (January 2015) to Revision A

Page

• 已更改 说明文本	1
• Changed max IDD	5
• Changed <i>TPL5110 Timing</i> labels	6
• Changed <i>Circuitry</i> text	12
• Changed T_{ADC} and R_D equations in the <i>Quantization Error</i> section	14
• 添加了接收文档更新通知 部分	19

5 Pin Configuration and Functions



Pin Functions

PIN		TYPE ⁽¹⁾	DESCRIPTION	APPLICATION INFORMATION
NO.	NAME			
1	VDD	P	Supply voltage	
2	GND	G	Ground	
3	DELAY/ M_DRV	I	Time interval set and manual MOSFET Power ON	Resistance between this pin and GND is used to select the time interval. The manual MOSFET power ON switch is also connected to this pin.
4	DONE	I	Logic Input for watchdog functionality	Digital signal driven by the μ C to indicate successful processing.
5	DRV	O	Power Gating output signal generated every t_{IP}	The Gate of the MOSFET is connected to this pin. When DRV = LOW, the MOSFET is ON.
6	EN/ ONE_SHOT	I	Selector of mode of operation	When EN/ONE_SHOT = HIGH, the TPL5110 works as a TIMER. When EN/ONE_SHOT = LOW, the TPL5110 turns on the MOSFET one time for the programmed time interval. The next power on of the MOSFET is enabled by the manual power ON.

(1) G= Ground, P= Power, O= Output, I= Input.

6 Specifications

6.1 Absolute Maximum Ratings⁽¹⁾

	MIN	MAX	UNIT
Supply Voltage (VDD-GND)	-0.3	6	V
Input Voltage at any pin ⁽²⁾	-0.3	VDD + 0.3	V
Input Current on any pin	-5	+5	mA
Junction Temperature, T _J ⁽³⁾		150	°C
Storage Temperature, T _{stg}	-65	150	°C

- (1) Stresses beyond those listed under *Absolute Maximum Ratings* may cause permanent damage to the device. These are stress ratings only, which do not imply functional operation of the device at these or any other conditions beyond those indicated under *Recommended Operating Conditions*. Exposure to absolute-maximum-rated conditions for extended periods may affect device reliability.
- (2) The voltage between any two pins should not exceed 6 V.
- (3) The maximum power dissipation is a function of T_J(MAX), θ_{JA}, and the ambient temperature, T_A. The maximum allowable power dissipation at any ambient temperature is PD_{MAX} = (T_J(MAX) - T_A) / θ_{JA}. All numbers apply for packages soldered directly onto a printed-circuit board (PCB).

6.2 ESD Ratings

		VALUE	UNIT
V _(ESD) Electrostatic discharge	Human Body Model, per ANSI/ESDA/JEDEC JS-001 ⁽¹⁾	±1000	V
	Charged-device model (CDM), per JEDEC specification JESD22-101 ⁽²⁾	±250	

- (1) JEDEC document JEP155 states that 500-V HBM allows safe manufacturing with a standard ESD control process.
- (2) JEDEC document JEP157 states that 250-V CDM allows safe manufacturing with a standard ESD control process.

6.3 Recommended Operating Ratings

	MIN	MAX	UNIT
Supply Voltage (VDD-GND)	1.8	5.5	V
Temperature	-40	105	°C

6.4 Thermal Information

THERMAL METRIC ⁽¹⁾		TPL5110	UNIT
		DDC (SOT-23)	
		6 PINS	
R _{θJA}	Junction-to-ambient thermal resistance	163	°C/W
R _{θJC(top)}	Junction-to-case (top) thermal resistance	26	°C/W
R _{θJB}	Junction-to-board thermal resistance	57	°C/W
ψ _{JT}	Junction-to-top characterization parameter	7.5	°C/W
ψ _{JB}	Junction-to-board characterization parameter	57	°C/W
R _{θJC(bot)}	Junction-to-case (bottom) thermal resistance	N/A	°C/W

- (1) For more information about traditional and new thermal metrics, see the [Semiconductor and IC Package Thermal Metrics](#) application report (SPRA953).

6.5 Electrical Characteristics⁽¹⁾

Specifications are for $T_A = 25^\circ\text{C}$, $V_{DD-GND} = 2.5\text{ V}$, unless otherwise stated.

PARAMETER		TEST CONDITIONS		MIN ⁽²⁾	TYP ⁽³⁾	MAX ⁽²⁾	UNIT
POWER SUPPLY							
IDD	Supply current ⁽⁴⁾	Operation mode		35	50		nA
		Digital conversion of external resistance (Rext)		200	400		μA
TIMER							
t _{IP}	Time interval Period	1650 selectable Time intervals	Minimum time interval	100			ms
			Maximum time interval	7200			s
	Time interval Setting Accuracy ⁽⁵⁾		Excluding the precision of Rext		±0.6%		
	Time interval Setting Accuracy over supply voltage		1.8 V ≤ VDD ≤ 5.5 V		±25		ppm/V
t _{OSC}	Oscillator Accuracy			−0.5%	0.5%		
	Oscillator Accuracy over temperature ⁽⁶⁾		−40°C ≤ T _A ≤ 105°C		±100	±400	ppm/°C
	Oscillator Accuracy over supply voltage		1.8 V ≤ VDD ≤ 5.5 V		±0.4		%/V
	Oscillator Accuracy over life time ⁽⁷⁾				±0.24%		
t _{DONE}	DONE Pulse width ⁽⁶⁾			100			ns
t _{DRV}	DRV Pulse width		DONE signal not received		t _{IP} -50 ms		
t _{Rext}	Time to convert Rext			100	120		ms
DIGITAL LOGIC LEVELS							
VIH	Logic High Threshold DONE pin			0.7 × VDD			V
VIL	Logic Low Threshold DONE pin				0.3 × VDD		V
VOH	Logic output High Level DRV pin		i _{out} = 100 μA	VDD − 0.3			V
			i _{out} = 1 mA	VDD − 0.7			V
VOL	Logic output Low Level DRV pin		i _{out} = −100 μA		0.3		V
			i _{out} = −1 mA		0.7		V
VIH _{M_DRV}	Logic High Threshold DELAY/M_DRV pin			1.5			V

- (1) *Electrical Characteristics* values apply only for factory testing conditions at the temperature indicated. Factory testing conditions result in very limited self-heating of the device such that $T_J = T_A$. No specification of parametric performance is indicated in the electrical tables under conditions of internal self-heating where $T_J > T_A$. *Absolute Maximum Ratings* indicate junction temperature limits beyond which the device may be permanently degraded, either mechanically or electrically.
- (2) Limits are specified by testing, design, or statistical analysis at 25°C. Limits over the operating temperature range are specified through correlations using statistical quality control (SQC) method.
- (3) Typical values represent the most likely parametric norm as determined at the time of characterization. Actual typical values may vary over time and will also depend on the application and configuration. The typical values are not tested and are not specified on shipped production material.
- (4) The supply current excludes load and pullup resistor current. Input pins are at GND or VDD.
- (5) The accuracy for time interval settings below 1 second is ±100 ms.
- (6) This parameter is specified by design and/or characterization and is not tested in production.
- (7) Operational life time test procedure equivalent to 10 years.

6.6 Timing Requirements

			MIN ⁽¹⁾	NOM ⁽²⁾	MAX ⁽¹⁾	UNIT
$t_{r_{DRV}}$	Rise Time DRV ⁽³⁾	Capacitive load 50 pF		50		ns
$t_{f_{DRV}}$	Fall Time DRV ⁽³⁾	Capacitive load 50 pF		50		ns
$t_{D_{DONE}}$	DONE to DRV delay	Minimum delay ⁽⁴⁾		100		ns
		Maximum delay ⁽⁴⁾		t_{DRV}		
$t_{M_{DRV}}$	Valid manual MOSFET Power ON	Observation time 30 ms	20			ms
t_{DB}	De-bounce manual MOSFET Power ON			20		ms

- (1) Limits are specified by testing, design, or statistical analysis at 25°C. Limits over the operating temperature range are specified through correlations using statistical quality control (SQC) method.
- (2) Typical values represent the most likely parametric norm as determined at the time of characterization. Actual typical values may vary over time and will also depend on the application and configuration. The typical values are not tested and are not specified on shipped production material.
- (3) This parameter is specified by design and/or characterization and is not tested in production.
- (4) From DRV falling edge.

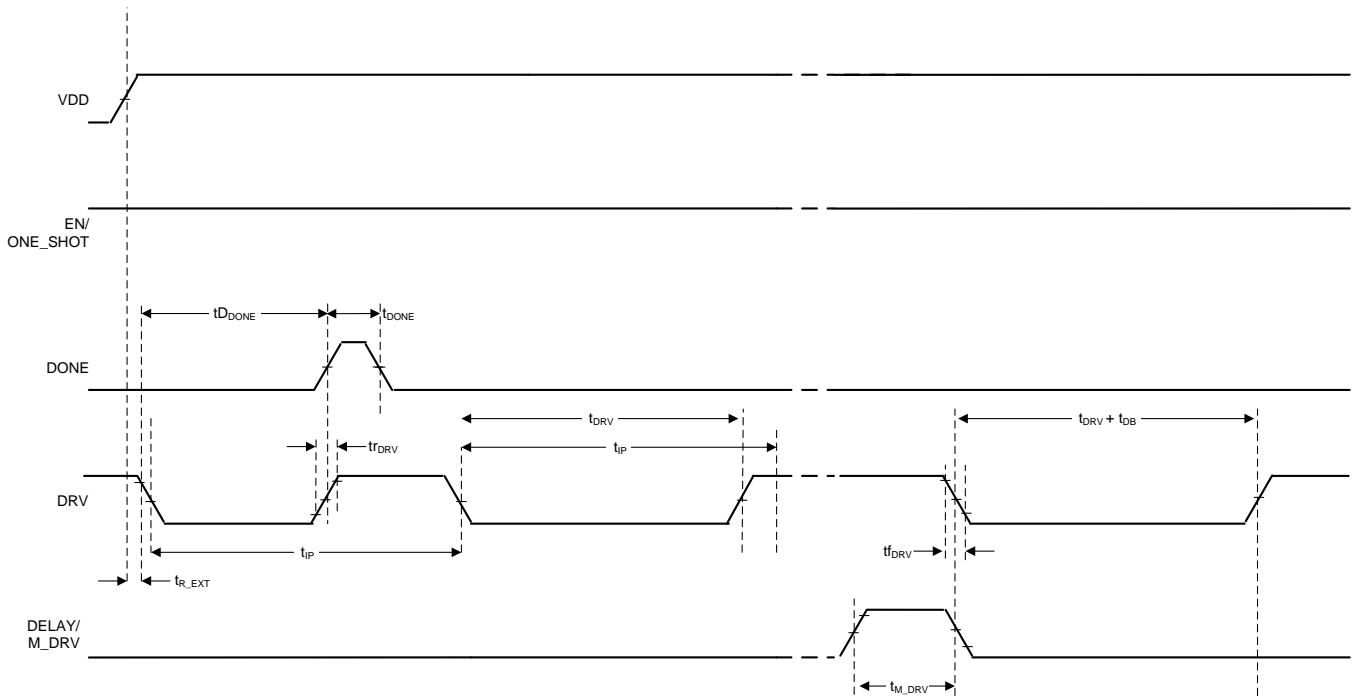


Figure 1. TPL5110 Timing

6.7 Typical Characteristics

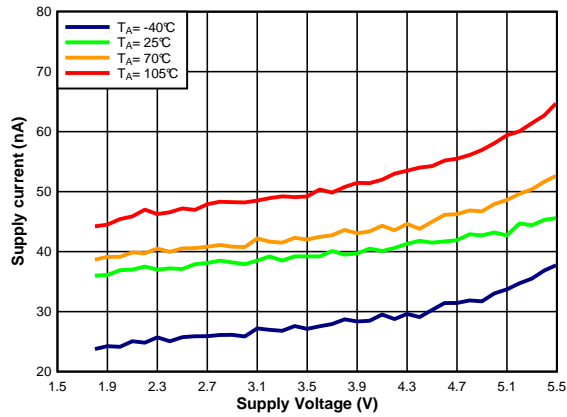


Figure 2. I_{DD} vs. V_{DD}

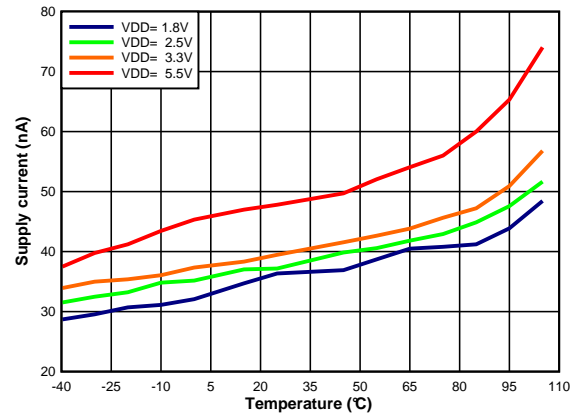


Figure 3. I_{DD} vs. Temperature

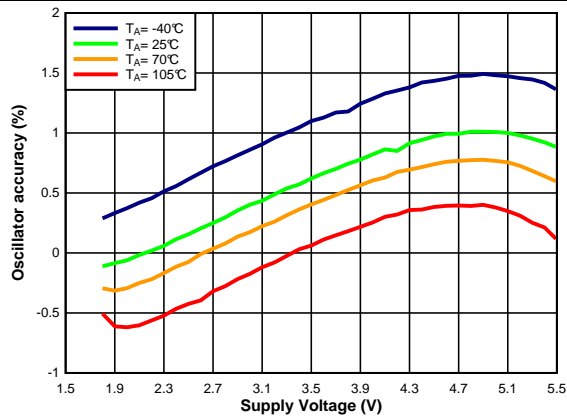


Figure 4. Oscillator Accuracy vs. V_{DD}

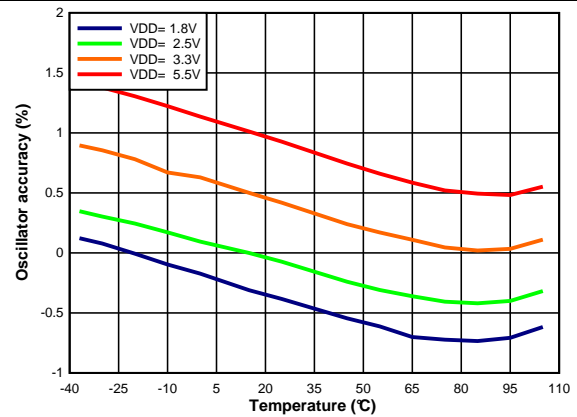


Figure 5. Oscillator Accuracy vs. Temperature

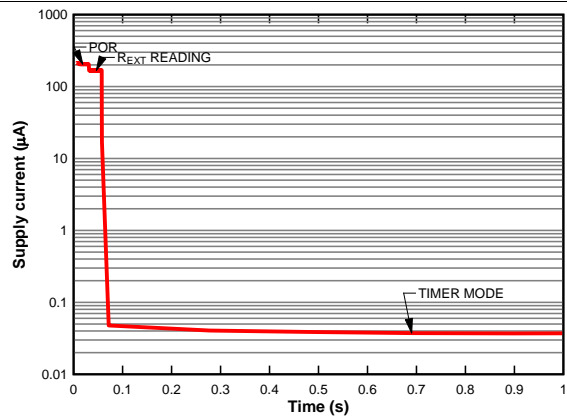
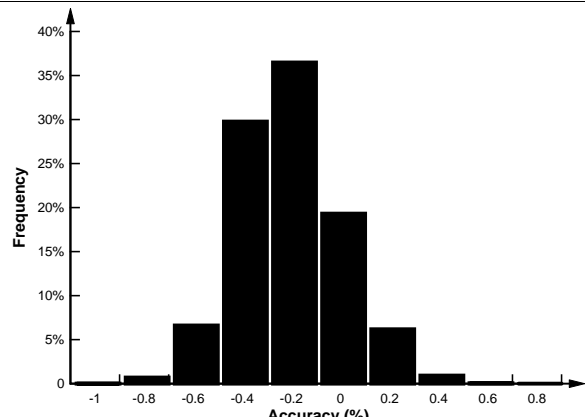


Figure 6. I_{DD} vs. Time



number of observations >20000
 $1s < t_{IP} \leq 7200s$

Figure 7. Time interval Setting Accuracy

7 Detailed Description

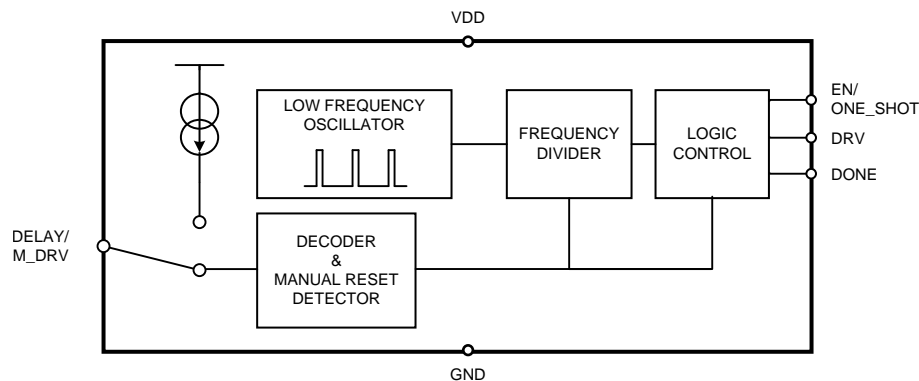
7.1 Overview

The TPL5110 is a timer with power gating feature. It is ideal for use in power-cycled applications and provides selectable timing from 100 ms to 7200 s.

Once configured in timer mode (EN/ONE_SHOT= HIGH) the TPL5110 periodically sends out a DRV signal to a MOSFET to turn on the μC . If the μC replies with a DONE signal within the programmed time interval (t_{DRV}) the TPL5110 turns off the μC , otherwise the TPL5110 keeps the μC in the on state for a time equal to t_{DRV} .

The TPL5110 can work also in a one-shot mode (EN/ONE_SHOT= LOW). In this mode the DRV signal is sent out just one time at the power on of the TPL5110 to turn on the μC . If the μC replies with a DONE signal within the programmed time interval (t_{DRV}) the TPL5110 turns off the μC , otherwise the TPL5110 keeps the μC in the on state for a time equal to t_{DRV} .

7.2 Functional Block Diagram



7.3 Feature Description

The TPL5110 implements a periodical power gating feature or one shot power gating according to the EN/ONE_SHOT voltage. A manual MOSFET Power ON function is realized by momentarily pulling the DELAY/M_DRV pin to VDD.

7.3.1 DRV

The gate of the MOSFET is connected to the DRV pin. When DRV=LOW, the MOSFET is turned ON. The pulse generated at DRV is equal to the selected time interval period, minus 50 ms. It is shorter in the case of a DONE signal received from the μC . If the DONE signal is not received within the programmed time interval (minus 50 ms), the DRV signal will be high for the last 50 ms of the time interval to turn off the MOSFET before the next cycle starts.

The default value (after resistance reading) is HIGH. The signal is sent out from the TPL5110 when the programmed time interval starts. When the DRV is LOW, the manual power ON signal is ignored.

7.3.2 DONE

The DONE pin is driven by a μC to signal that the μC is working properly. The TPL5110 recognizes a valid DONE signal as a low to high transition. If two or more DONE signals are received within the time interval, only the first DONE signal is processed. The minimum DONE signal pulse length is 100 ns. When the TPL5110 receives the DONE signal it asserts DRV logic HIGH.

7.4 Device Functional Modes

7.4.1 Start-Up

During start-up, after POR, the TPL5110 executes a one-time measurement of the resistance attached to the DELAY/M_DRV pin in order to determine the desired time interval for DRV. This measurement interval is t_{R_EXT} . During this measurement a constant current is temporarily flowing into R_{EXT} .

Once the reading of the external resistance is complete, the TPL5110 enters automatically in one of the two modes according to the EN/ONE_SHOT value. The EN/ONE_SHOT pin needs to be hard wired to GND or VDD according to the required mode of operation.

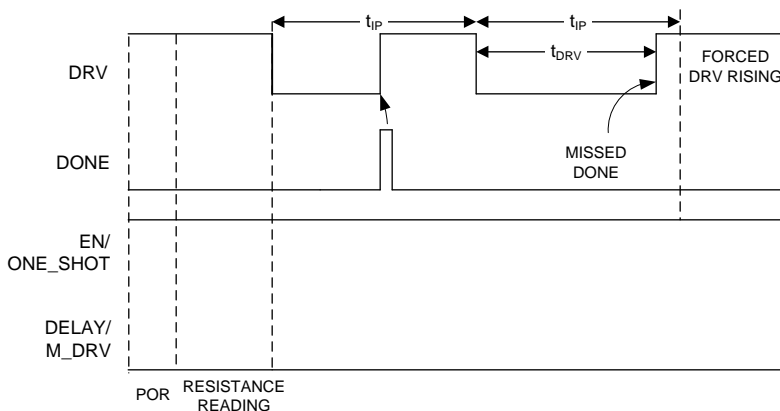


Figure 8. Start-Up - Timer Mode

7.4.2 Timer Mode

During timer mode ($EN/ONE_SHOT = HIGH$), the TPL5110 asserts periodic DRV pulses according to the programmed time interval. The length of the DRV pulses is set by the receiving of a DONE pulse from the μC . See Figure 8.

7.4.3 One-Shot Mode

During one-shot mode ($EN/ONE_SHOT = LOW$), the TPL5110 generates just one pulse at the DRV pin which lasts according to the programmed time interval. In one-shot mode, other DRV pulses can be triggered using the DELAY/M_DRV pin. If a valid manual power ON occurs when EN/ONE_SHOT is LOW, the TPL5110 generates just one pulse at the DRV pin. The duration of the pulse is set by the programmed time interval. Also in this case, if a DONE signal is received within the programmed time interval (minus 50 ms), the MOSFET connected to the DRV pin is turned off. See Figure 9 and Figure 10.

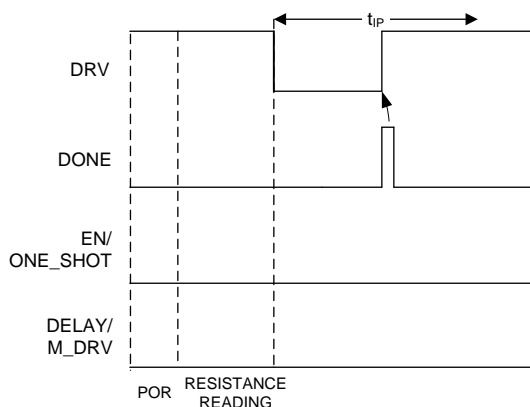


Figure 9. Start-Up One-Shot Mode (DONE Received Within t_{IP})

Device Functional Modes (continued)

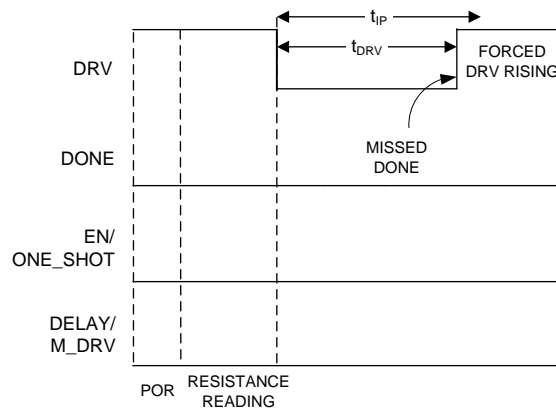


Figure 10. Start-Up One-Shot Mode (No DONE Received Within t_{IP})

7.5 Programming

7.5.1 Configuring the Time Interval With the DELAY/M_DRV Pin

The time interval between two adjacent DRV pulses (falling edges, in timer mode) is selectable through an external resistance (R_{EXT}) between the DELAY/M_DRV pin and ground. The resistance (R_{EXT}) must be in the range between 500 Ω and 170 k Ω . At least a 1% precision resistance is recommended. See section [Selection of the External Resistance](#) on how to set the time interval using R_{EXT} .

7.5.2 Manual MOSFET Power ON Applied to the DELAY/M_DRV Pin

If VDD is connected to the DELAY/M_DRV pin, the TPL5110 recognizes this as a manual MOSFET Power ON condition. In this case the time interval is not set. If the manual MOSFET Power ON is asserted during the POR or during the reading procedure, the reading procedure is aborted and is restarted as soon as the manual MOSFET Power ON switch is released. A pulse on the DELAY/M_DRV pin is recognized as a valid manual MOSFET Power ON only if it lasts at least 20 ms (observation time is 30 ms). The manual MOSFET Power ON may be implemented using a switch (momentary mechanical action).

If the DRV is already LOW (MOSFET ON) the manual MOSFET Power ON is ignored.

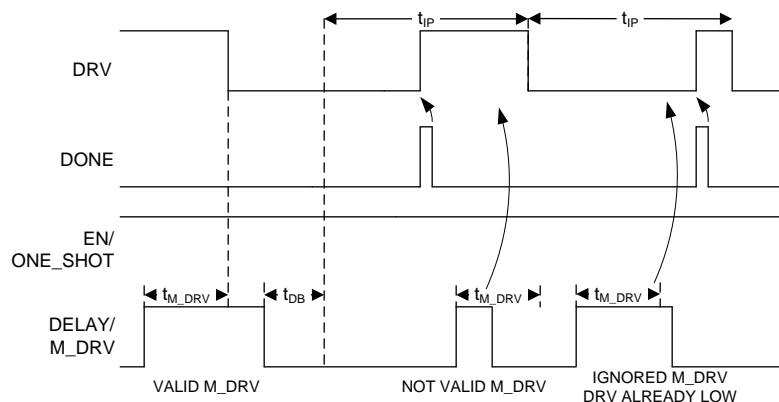


Figure 11. Manual MOSFET Power ON in Timer Mode

Programming (continued)

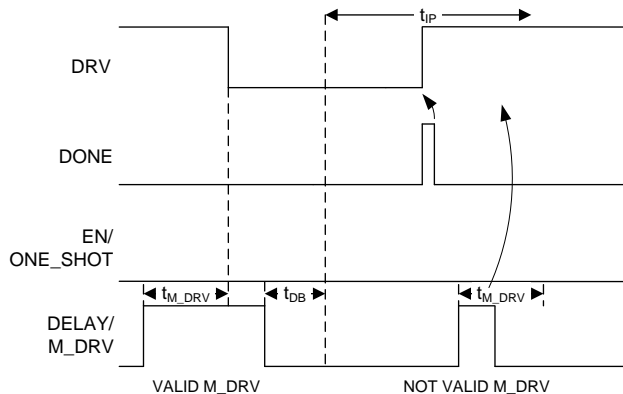


Figure 12. Manual MOSFET Power ON in One-Shot Mode

7.5.2.1 DELAY/M_DRV

A resistance in the range between 500 Ω and 170 k Ω must be connected to the DELAY/M_DRV pin to select a valid time interval. At the POR and during the reading of the resistance, the DELAY/M_DRV is connected to an analog signal chain through a mux. After the reading of the resistance, the analog circuit is switched off and the DELAY/M_DRV is connected to a digital circuit.

In this state, a logic HIGH applied to the DELAY/M_DRV pin is interpreted by the TPL5110 as a manual power ON. The manual power ON detection is provided with a de-bounce feature (on both edges) which makes the TPL5110 insensitive to the glitches on the DELAY/M_DRV.

The M_DRV must stay high for at least 20 ms to be valid. Once a valid signal at DELAY/M_DRV is understood as a manual power on, the DRV signal will be asserted in the next 10 ms. Its duration will be according to the programmed time interval (minus 50 ms), or less if the DONE is received.

A manual power ON signal resets all the counters. The counters will restart as soon as a valid manual power ON signal is recognized and the signal at DELAY/M_DRV pin is asserted LOW. Due to the asynchronous nature of the manual power ON signal and its arbitrary duration, the LOW status of the DRV signal may be affected by an uncertainty of about ± 5 ms.

An extended assertion of a logic HIGH at the DELAY/M_DRV pin will turn on the MOSFET for a time longer than the programmed time interval. DONE signals received while the DELAY/M_DRV is HIGH are ignored. If the DRV is already LOW (MOSFET ON) the manual power ON is ignored.

7.5.2.2 Circuitry

The manual Power ON may be implemented using a switch (momentary mechanical action). The TPL5110 offers two possible approaches according to the power consumption constraints of the application.

Programming (continued)

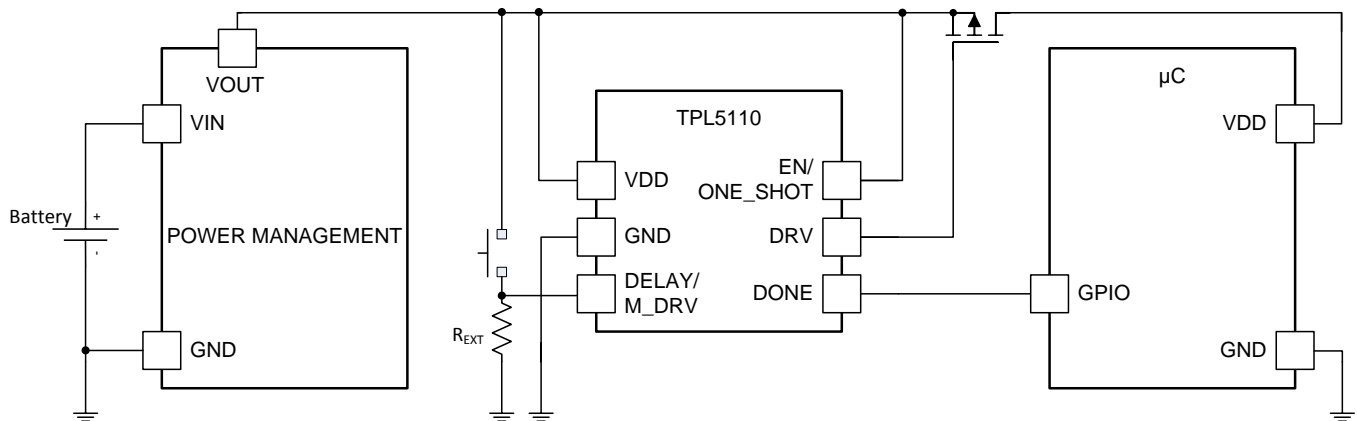


Figure 13. Manual MOSFET Power ON With SPST Switch

For use cases that do not require the lowest power consumption, using a single-pole single-throw switch may offer a lower-cost solution. The DELAY/M_DRV pin may be directly connected to VDD with R_{EXT} in the circuit. The current drawn from the supply voltage during the manual power ON is given by VDD/R_{EXT}.

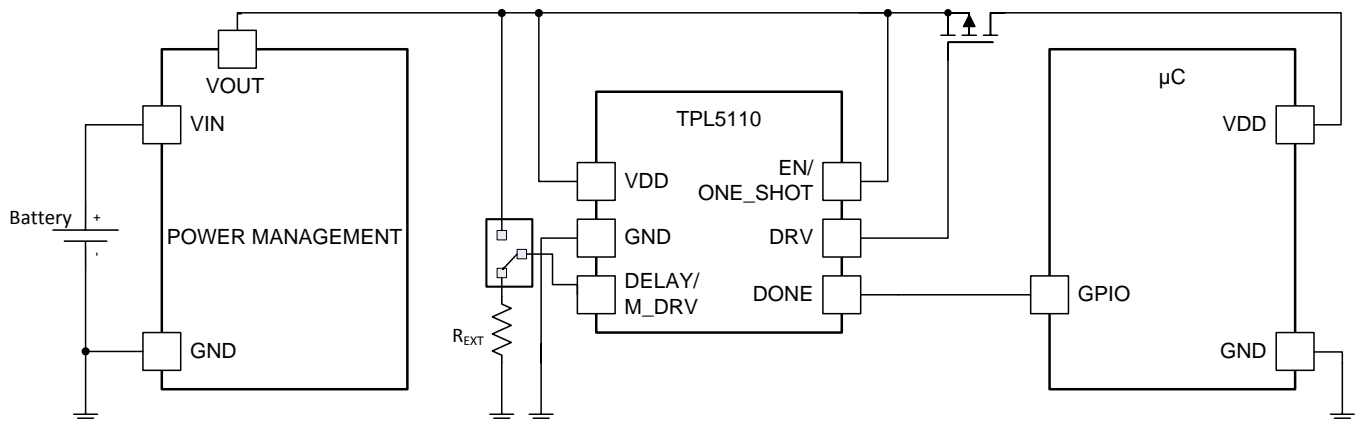


Figure 14. Manual MOSFET Power ON With SPDT Switch

The manual MOSFET Power ON function may also be asserted by switching DELAY/M_DRV from R_{EXT} to VDD using a single-pole double-throw switch, which will provide a lower power solution for the manual power ON, because no current flows.

7.5.3 Selection of the External Resistance

To set the time interval, the external resistance R_{EXT} is selected according to [Equation 1](#):

$$R_{EXT} = 100 \left(\frac{-b + \sqrt{b^2 - 4a(c - 100T)}}{2a} \right)$$

where

- T is the desired time interval in seconds.
- R_{EXT} is the resistance value to use in Ω.
- a, b, c are coefficients depending on the range of the time interval.

(1)

Programming (continued)
Table 1. Coefficients for Equation 1

SET	Time Interval Range (s)	a	b	c
1	1 < T ≤ 5	0.2253	-20.7654	570.5679
2	5 < T ≤ 10	-0.1284	46.9861	-2651.8889
3	10 < T ≤ 100	0.1972	-19.3450	692.1201
4	100 < T ≤ 1000	0.2617	-56.2407	5957.7934
5	T > 1000	0.3177	-136.2571	34522.4680

EXAMPLE

Required time interval: 8 s

The coefficient set to be selected is the number 2. The formula becomes Equation 2.

$$R_{EXT} = 100 \left(\frac{46.9861 - \sqrt{46.9861^2 + 4 * 0.1284 (-2561.8889 - 100 * 8)}}{2 * 0.1284} \right) \quad (2)$$

The resistance value is 10.18 kΩ.

Table 2 and Table 3 contain example values of t_{IP} and their corresponding value of R_{EXT}.

Table 2. First 9 Time Intervals

t _{IP} (ms)	Resistance (Ω)	Closest real value (Ω)	Parallel of two 1% tolerance resistors, (kΩ)
100	500	500	1.0 // 1.0
200	1000	1000	-
300	1500	1500	2.43 // 3.92
400	2000	2000	-
500	2500	2500	4.42 // 5.76
600	3000	3000	5.36 // 6.81
700	3500	3500	4.75 // 13.5
800	4000	4000	6.19 // 11.3
900	4500	4501	6.19 // 16.5

Table 3. Most Common Time Intervals Between 1s to 2h

t _{IP}	Calculated Resistance (kΩ)	Closest Real Value (kΩ)	Parallel of Two 1% Tolerance Resistors, (kΩ)
1s	5.20	5.202	7.15 // 19.1
2s	6.79	6.788	12.4 // 15.0
3s	7.64	7.628	12.7 // 19.1
4s	8.30	8.306	14.7 // 19.1
5s	8.85	8.852	16.5 // 19.1
6s	9.27	9.223	18.2 // 18.7
7s	9.71	9.673	19.1 // 19.6
8s	10.18	10.180	11.5 // 8.87
9s	10.68	10.68	17.8 // 26.7
10s	11.20	11.199	15.0 // 44.2
20s	14.41	14.405	16.9 // 97.6
30s	16.78	16.778	32.4 // 34.8
40s	18.75	18.748	22.6 // 110.0
50s	20.047	20.047	28.7 // 66.5

Table 3. Most Common Time Intervals Between 1s to 2h (continued)

t_P	Calculated Resistance (k Ω)	Closest Real Value (k Ω)	Parallel of Two 1% Tolerance Resistors, (k Ω)
1min	22.02	22.021	40.2 // 48.7
2min	29.35	29.349	35.7 // 165.0
3min	34.73	34.729	63.4 // 76.8
4min	39.11	39.097	63.4 // 102.0
5min	42.90	42.887	54.9 // 196.0
6min	46.29	46.301	75.0 // 121.0
7min	49.38	49.392	97.6 // 100.0
8min	52.24	52.224	88.7 // 127.0
9min	54.92	54.902	86.6 // 150.0
10min	57.44	57.437	107.0 // 124.0
20min	77.57	77.579	140.0 // 174.0
30min	92.43	92.233	182.0 // 187.0
40min	104.67	104.625	130.0 // 536.00
50min	115.33	115.331	150.0 // 499.00
1h	124.91	124.856	221.0 // 287.00
1h30min	149.39	149.398	165.0 // 1580.0
2h	170.00	170.00	340.0 // 340.0

7.5.4 Quantization Error

The TPL5110 can generate 1650 discrete timer intervals in the range of 100 ms to 7200 s. The first 9 intervals are multiples of 100 ms. The remaining 1641 intervals cover the range between 1 s to 7200 s. Because they are discrete intervals, there is a quantization error associated with each value.

The quantization error can be evaluated according to [Equation 3](#):

$$Err = 100 \frac{(T_{DESIRED} - T_{ADC})}{T_{DESIRED}}$$

where

- $T_{ADC} = \text{INT} \left[\frac{1}{100} (aR_D^2 + bR_D + c) \right]$
- $R_D = \frac{R_{EXT}}{100}$

(3)

R_{EXT} is the resistance calculated with [Equation 1](#) and a, b, c are the coefficients of the equation listed in [Table 1](#).

7.5.5 Error Due to Real External Resistance

R_{EXT} is a theoretical value and may not be available in standard commercial resistor values. It is possible to closely approach the theoretical R_{EXT} using two or more standard values in parallel. However, standard values are characterized by a certain tolerance. This tolerance will affect the accuracy of the time interval.

The accuracy can be evaluated using the following procedure:

1. Evaluate the min and max values of R_{EXT} (R_{EXT_MIN} , R_{EXT_MAX} with [Equation 1](#) using the selected commercial resistance values and their tolerances.
2. Evaluate the time intervals ($T_{ADC_MIN}[R_{EXT_MIN}]$, $T_{ADC_MAX}[R_{EXT_MAX}]$) with the T_{ADC} equation mentioned in [Equation 3](#).
3. Find the errors using [Equation 3](#) with T_{ADC_MIN} , T_{ADC_MAX} .

The results of the formula indicate the accuracy of the time interval.

The example below illustrates the procedure.

- Desired time interval, $T_{\text{desired}} = 600$ s,
- Required R_{EXT} from [Equation 1](#), $R_{\text{EXT}} = 57.44$ k Ω .

From [Table 3](#), R_{EXT} can be built with a parallel combination of two commercial values with 1% tolerance: $R_1 = 107$ k Ω , $R_2 = 124$ k Ω . The uncertainty of the equivalent parallel resistance can be found using [Equation 4](#):

$$uR_{//} = R_{//} \sqrt{\left(\frac{u_{R1}}{R1}\right)^2 + \left(\frac{u_{R2}}{R2}\right)^2}$$

where

- u_{Rn} ($n=1,2$) represent the uncertainty of a resistance (see [Equation 5](#)) (4)

$$u_{Rn} = Rn \frac{\textit{Tolerance}}{\sqrt{3}} \tag{5}$$

The uncertainty of the parallel resistance is 0.82%, which means the value of R_{EXT} may range between $R_{\text{EXT_MIN}} = 56.96$ k Ω and $R_{\text{EXT_MAX}} = 57.90$ k Ω .

Using these value of R_{EXT} , the digitized timer intervals calculated by T_{ADC} equation mentioned in [Equation 3](#) are respectively $T_{\text{ADC_MIN}} = 586.85$ s and $T_{\text{ADC_MAX}} = 611.3$ s, giving an error range of -1.88% / $+2.19\%$. The asymmetry of the error range is due to the quadratic transfer function of the resistance digitizer.

Typical Application (continued)

8.2.3 Application Curve

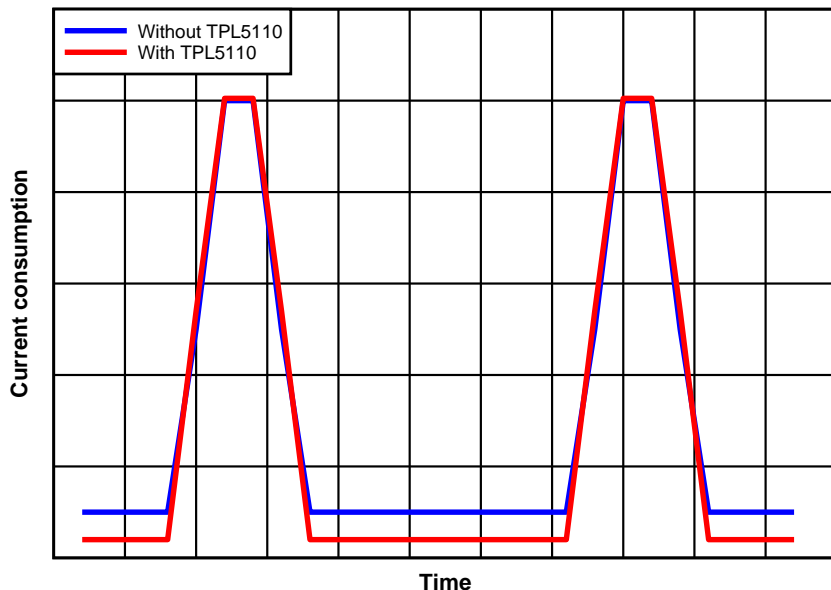


Figure 16. Effect of TPL5110 on Current Consumption

9 Power Supply Recommendations

The TPL5110 requires a voltage supply within 1.8 V and 5.5 V. A multilayer ceramic bypass X7R capacitor of 0.1 μ F between VDD and GND pin is recommended.

10 Layout

10.1 Layout Guidelines

The DELAY/M_DRV pin is sensitive to parasitic capacitance. TI suggests that the traces connecting the resistance on this pin to GROUND be kept as short as possible to minimize parasitic capacitance. This capacitance can affect the initial set up of the time interval. Signal integrity on the DRV pin is also improved by keeping the trace length between the TPL5110 and the gate of the MOSFET short to reduce the parasitic capacitance. The EN/ONE_SHOT needs to be tied to GND or VDD with short traces.

10.2 Layout Example

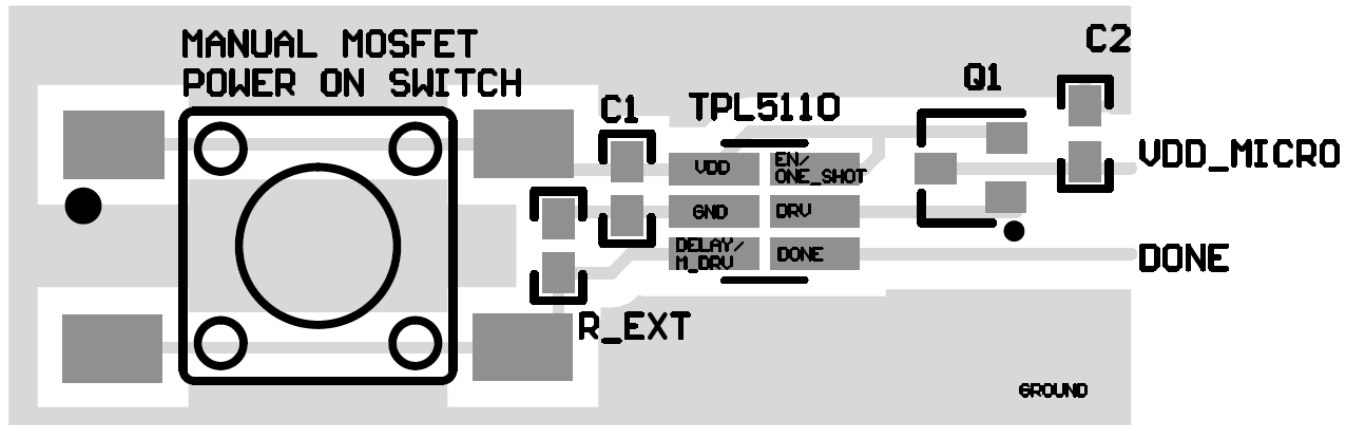


Figure 17. Layout

11 器件和文档支持

11.1 接收文档更新通知

要接收文档更新通知，请导航至 TI.com.cn 上的器件产品文件夹。单击右上角的 [通知我](#) 进行注册，即可每周接收产品信息更改摘要。有关更改的详细信息，请查看任何已修订文档中包含的修订历史记录。

11.2 社区资源

下列链接提供到 TI 社区资源的连接。链接的内容由各个分销商“按照原样”提供。这些内容并不构成 TI 技术规范，并且不一定反映 TI 的观点；请参阅 TI 的 [《使用条款》](#)。

TI E2E™ 在线社区 [TI 的工程师对工程师 \(E2E\) 社区](#)。此社区的创建目的在于促进工程师之间的协作。在 e2e.ti.com 中，您可以咨询问题、分享知识、拓展思路并与同行工程师一道帮助解决问题。

设计支持 [TI 参考设计支持](#) 可帮助您快速查找有帮助的 E2E 论坛、设计支持工具以及技术支持的联系信息。

11.3 商标

E2E is a trademark of Texas Instruments.

All other trademarks are the property of their respective owners.

11.4 静电放电警告



ESD 可能会损坏该集成电路。德州仪器 (TI) 建议通过适当的预防措施处理所有集成电路。如果不遵守正确的处理措施和安装程序，可能会损坏集成电路。

ESD 的损坏小至导致微小的性能降级，大至整个器件故障。精密的集成电路可能更容易受到损坏，这是因为非常细微的参数更改都可能会导致器件与其发布的规格不相符。

11.5 术语表

[SLYZ022](#) — *TI* 术语表。

这份术语表列出并解释术语、缩写和定义。

12 机械、封装和可订购信息

以下页面包含机械、封装和可订购信息。这些信息是指定器件的最新可用数据。数据如有变更，恕不另行通知，且不会对此文档进行修订。如需获取此数据表的浏览器版本，请查阅左侧的导航栏。

PACKAGING INFORMATION

Orderable Device	Status (1)	Package Type	Package Drawing	Pins	Package Qty	Eco Plan (2)	Lead finish/ Ball material (6)	MSL Peak Temp (3)	Op Temp (°C)	Device Marking (4/5)	Samples
TPL5110DDCR	ACTIVE	SOT-23-THIN	DDC	6	3000	RoHS & Green	NIPDAU	Level-1-260C-UNLIM	-40 to 105	ZALX	Samples
TPL5110DDCT	ACTIVE	SOT-23-THIN	DDC	6	250	RoHS & Green	NIPDAU	Level-1-260C-UNLIM	-40 to 105	ZALX	Samples

(1) The marketing status values are defined as follows:

ACTIVE: Product device recommended for new designs.

LIFEBUY: TI has announced that the device will be discontinued, and a lifetime-buy period is in effect.

NRND: Not recommended for new designs. Device is in production to support existing customers, but TI does not recommend using this part in a new design.

PREVIEW: Device has been announced but is not in production. Samples may or may not be available.

OBSOLETE: TI has discontinued the production of the device.

(2) **RoHS:** TI defines "RoHS" to mean semiconductor products that are compliant with the current EU RoHS requirements for all 10 RoHS substances, including the requirement that RoHS substance do not exceed 0.1% by weight in homogeneous materials. Where designed to be soldered at high temperatures, "RoHS" products are suitable for use in specified lead-free processes. TI may reference these types of products as "Pb-Free".

RoHS Exempt: TI defines "RoHS Exempt" to mean products that contain lead but are compliant with EU RoHS pursuant to a specific EU RoHS exemption.

Green: TI defines "Green" to mean the content of Chlorine (Cl) and Bromine (Br) based flame retardants meet JS709B low halogen requirements of <=1000ppm threshold. Antimony trioxide based flame retardants must also meet the <=1000ppm threshold requirement.

(3) MSL, Peak Temp. - The Moisture Sensitivity Level rating according to the JEDEC industry standard classifications, and peak solder temperature.

(4) There may be additional marking, which relates to the logo, the lot trace code information, or the environmental category on the device.

(5) Multiple Device Markings will be inside parentheses. Only one Device Marking contained in parentheses and separated by a "~" will appear on a device. If a line is indented then it is a continuation of the previous line and the two combined represent the entire Device Marking for that device.

(6) Lead finish/Ball material - Orderable Devices may have multiple material finish options. Finish options are separated by a vertical ruled line. Lead finish/Ball material values may wrap to two lines if the finish value exceeds the maximum column width.

Important Information and Disclaimer:The information provided on this page represents TI's knowledge and belief as of the date that it is provided. TI bases its knowledge and belief on information provided by third parties, and makes no representation or warranty as to the accuracy of such information. Efforts are underway to better integrate information from third parties. TI has taken and continues to take reasonable steps to provide representative and accurate information but may not have conducted destructive testing or chemical analysis on incoming materials and chemicals. TI and TI suppliers consider certain information to be proprietary, and thus CAS numbers and other limited information may not be available for release.

In no event shall TI's liability arising out of such information exceed the total purchase price of the TI part(s) at issue in this document sold by TI to Customer on an annual basis.

TAPE AND REEL INFORMATION

QUADRANT ASSIGNMENTS FOR PIN 1 ORIENTATION IN TAPE

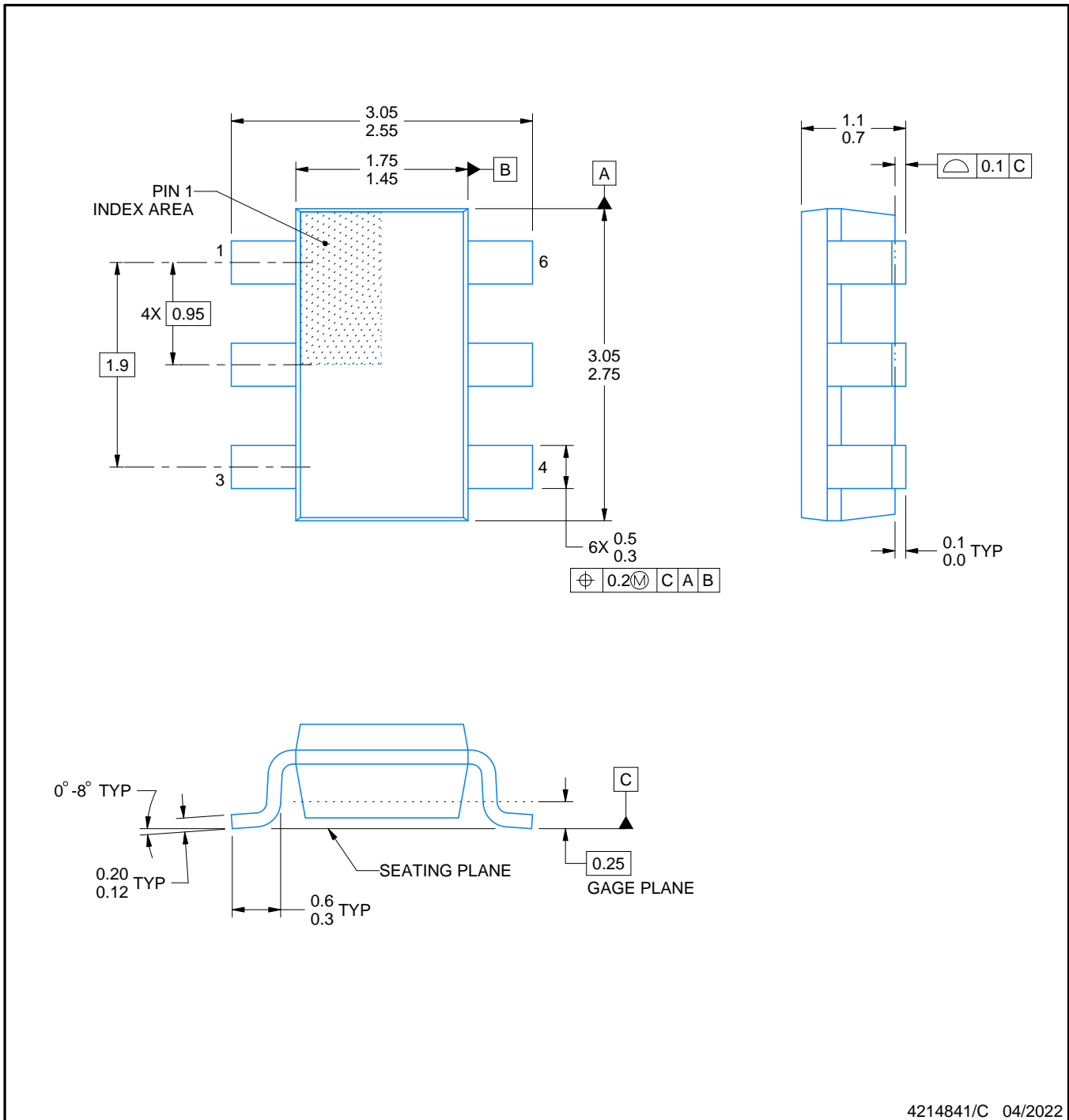

*All dimensions are nominal

Device	Package Type	Package Drawing	Pins	SPQ	Reel Diameter (mm)	Reel Width W1 (mm)	A0 (mm)	B0 (mm)	K0 (mm)	P1 (mm)	W (mm)	Pin1 Quadrant
TPL5110DDCR	SOT-23-THIN	DDC	6	3000	178.0	8.4	3.2	3.2	1.4	4.0	8.0	Q3
TPL5110DDCT	SOT-23-THIN	DDC	6	250	178.0	8.4	3.2	3.2	1.4	4.0	8.0	Q3

TAPE AND REEL BOX DIMENSIONS


*All dimensions are nominal

Device	Package Type	Package Drawing	Pins	SPQ	Length (mm)	Width (mm)	Height (mm)
TPL5110DDCR	SOT-23-THIN	DDC	6	3000	208.0	191.0	35.0
TPL5110DDCT	SOT-23-THIN	DDC	6	250	208.0	191.0	35.0



4214841/C 04/2022

NOTES:

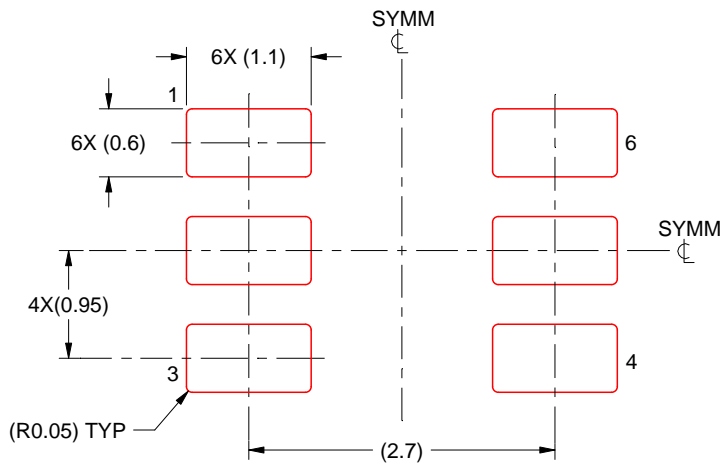
1. All linear dimensions are in millimeters. Any dimensions in parenthesis are for reference only. Dimensioning and tolerancing per ASME Y14.5M.
2. This drawing is subject to change without notice.
3. Reference JEDEC MO-193.

EXAMPLE STENCIL DESIGN

DDC0006A

SOT-23 - 1.1 max height

SMALL OUTLINE TRANSISTOR



SOLDER PASTE EXAMPLE
BASED ON 0.125 THICK STENCIL
SCALE:15X

4214841/C 04/2022

NOTES: (continued)

6. Laser cutting apertures with trapezoidal walls and rounded corners may offer better paste release. IPC-7525 may have alternate design recommendations.
7. Board assembly site may have different recommendations for stencil design.

重要声明和免责声明

TI“按原样”提供技术和可靠性数据（包括数据表）、设计资源（包括参考设计）、应用或其他设计建议、网络工具、安全信息和其他资源，不保证没有瑕疵且不做任何明示或暗示的担保，包括但不限于对适销性、某特定用途方面的适用性或不侵犯任何第三方知识产权的暗示担保。

这些资源可供使用 TI 产品进行设计的熟练开发人员使用。您将自行承担以下全部责任：(1) 针对您的应用选择合适的 TI 产品，(2) 设计、验证并测试您的应用，(3) 确保您的应用满足相应标准以及任何其他功能安全、信息安全、监管或其他要求。

这些资源如有变更，恕不另行通知。TI 授权您仅可将这些资源用于研发本资源所述的 TI 产品的应用。严禁对这些资源进行其他复制或展示。您无权使用任何其他 TI 知识产权或任何第三方知识产权。您应全额赔偿因在这些资源的使用中对 TI 及其代表造成的任何索赔、损害、成本、损失和债务，TI 对此概不负责。

TI 提供的产品受 [TI 的销售条款](#) 或 [ti.com](#) 上其他适用条款/TI 产品随附的其他适用条款的约束。TI 提供这些资源并不会扩展或以其他方式更改 TI 针对 TI 产品发布的适用的担保或担保免责声明。

TI 反对并拒绝您可能提出的任何其他或不同的条款。

邮寄地址：Texas Instruments, Post Office Box 655303, Dallas, Texas 75265

Copyright © 2022，德州仪器 (TI) 公司